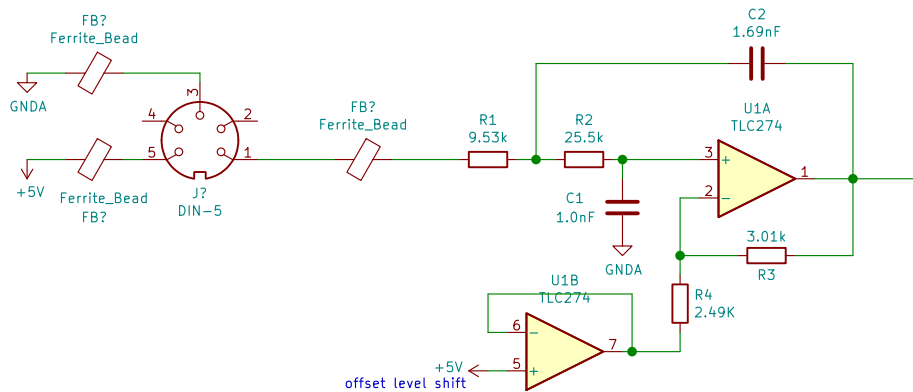


+15V GND -15V +5V GND1
 ↑ ↑ ↑ ↑ ↑



Gain 2.2222 v/v
 in 0 - 4.5 v
 out +/- 5 Volts

Pressure sensor transducer amplifier
 0 - 4.5 volt transducer output to +/- 5 Volt
 10 kHz Kallen-Key lowpass filter

Sheet: /
 File: pressure.sch

Title: Pressure transducer amplifier

Size: A4 Date: 2021-01-16
 KiCad E.D.A. eeschema 5.1.9-73d0e3b20d88ubuntu20.04.1

Rev: 0.1
 Id: 1/1